

NINGBO LINYA SWIMMING POOL AND
WATER TREATMENT EQUIPMENT CO. LTD.
PRODUCT: “BALI FILTER”

AUGUST 2018

Laminated Side Mount Sand Filter. Aesthetic, Durable, Reliable and Easy to Operate.

The extensive range of **Bali** laminated sand filters are known for their reliability well as for their collector arms, which feature a larger diameter (1") for greater filtering surface.

In addition to filter performance, aesthetics is increasingly important. The glossy laminated finish gives the filter an elegant look, for a safe unit that adapts to any type of installation.

Bali filters are made in polyester resin and fiberglass. The external layer of colorful gelcoat assures the tank is watertight and at the same time gives to the surface a high gloss end.

Available from 500mm/20" up to 900mm/36".

Inner component materials are made of last generation plastic resins.

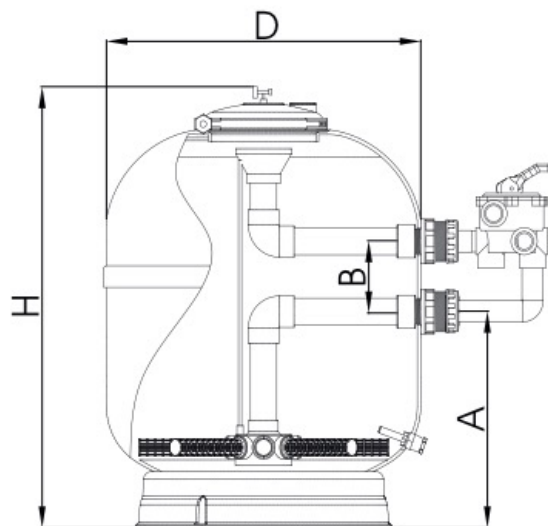
The maximum working pressure is 2,5Kg/cm².

Bali sand filters are available in 1,5" and 2" connections.



Specifications & codes

CODE	03010401	03010402	03010403	03010404
Ø Filter D mm	500	600	750	900
H mm	736	796	906	1021
A mm	300	323	320	390
B mm	125	125	230	270
Connections	1,5"	1,5"	2"	2"
Flow rate m ³ /h at 50 m ³ /h/m ²	9,5	15	22	32
Pool (volume) m ³ (8 hours)	76	120	176	256
Sand Kg	95	125	290	400
Max working pressure Kg/cm ²	2,5	2,5	2,5	2,5
Net weight Kg	15,2	18,42	27,4	35,87



Logistics



Bali Laminated Side Mount Sand Filter (Only Tank)					
CODE	Packaging Box Size (cm)			Volume m3	Gross Weight Kg
	a	b	c		
03010401	54	54	74	0,22	14
03010402	66	66	85,5	0,38	15,5
03010403	82	82	96,5	0,65	26
03010404	97	97	104	0,98	33,5
Side Mount Multiport Valve					
Model	Packaging Box Size (cm)			Volume m3	
	a	b	c		
1,5"	60	40	33	0,08	
2"	73	55	33	0,13	