

NINGBO LINYA SWIMMING POOL AND
WATER TREATMENT EQUIPMENT CO. LTD.
PRODUCT: "SAMOA FILTER"

AUGUST 2018

Plastic Sand Filter Samoa d300 and d400

Plastic Top Mount Sand Filter, Reliable and Easy to Operate.

SAMOA 300/400 are the ideal solution for above ground pools. Easy to assembly and operate, reliable.

The filter range features a one-piece blow molded body with no joints. It is made of HDPE plastic that is weather and chemical resistant. The filter assembled on a plastic base with all the necessary accessories.

It is available on 300mm/12" and 400mm/16" filter tanks.

An aesthetic 1,25" – 5 or 1,5" - 6 way multiport top mount valve is included. The design of the valve makes it reliable on all the working conditions.

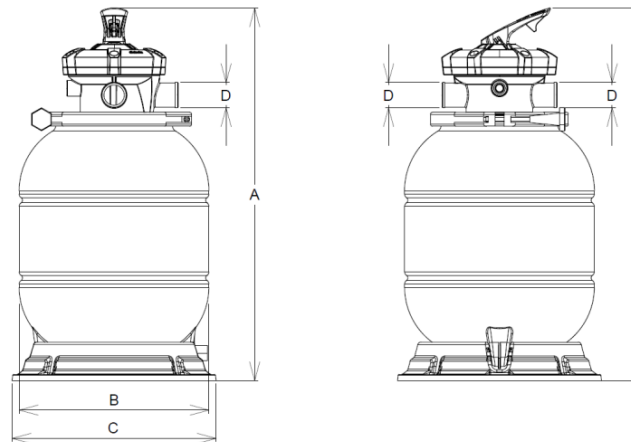
Max working pressure: 150Kpa;

Testing standard: NSF stand 50



Specifications & codes

Code		T7110-000	T711D-000	T7120-000	T712D-000
Filter Dia.	mm	300	300	400	400
MPV		1,25" – 5 ways	1,5" – 6 ways	1,25" – 5 ways	1,5" – 6 ways
A	mm	590		693	
B	mm	300	300	400	400
C	mm	322	322	322	322
D	mm	38	50	38	50
Sand Filling	Kg	20	20	40	40
Grain Size	mm	0,4-0,8	0,4-0,8	0,4-0,8	0,4-0,8
Max working pressure	KPa	150	150	150	150



Plastic Sand Filter Samoa d500 and d600

Plastic Top Mount Sand Filter, Reliable and Easy to Operate.

SAMOA 500/600 are the ideal solution for above ground pools. Easy to assembly and operate, reliable.

The filter range features a one-piece blow molded body with no joints. It is made of HDPE plastic that is weather and chemical resistant. The filter assembled on a plastic base with all the necessary accessories.

It is available on 500mm/20" and 600mm/24" filter tanks.

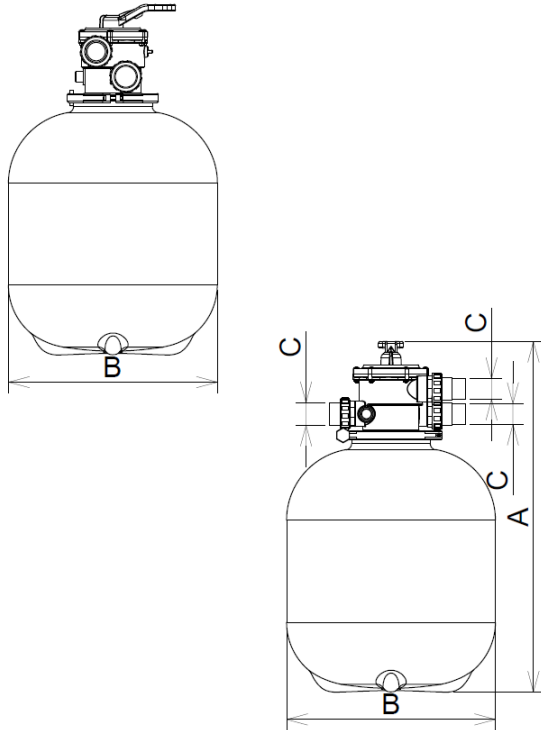
An aesthetic 1,25" - 5 way or 1.5"-6 way multiport top mount valve is included. The design of the valve makes it reliable on all the working conditions.

Max working pressure: 250Kpa;

Testing standard: NSF stand 50



Specifications & codes



Code		T968V-A00	T968W-A00	T969V-A00
Filter Dia.	mm	500	500	600
MPV		1,25" – 5 way	1,50" – 6 way	1,50" – 6 way
A	mm	825	825	945
B	mm	500	500	600
C	mm	50	50	50
Sand Filling	Kg	80	80	150
Grain Size	mm	0,4-0,8	0,4-0,8	0,4-0,8
Max working pressure	KPa	250	250	250