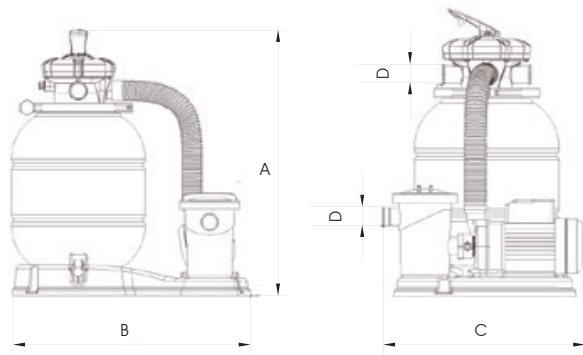


NINGBO LINYA SWIMMING POOL AND  
WATER TREATMENT EQUIPMENT CO, LTD,  
**PRODUCT: “SAMOA FILTRATION SYSTEMS”**

AUGUST 2018

# Filtration systems ideal for above ground pools

- **SAMOA** filtration systems are the ideal solution for above ground pools. Easy to assembly and operate, quiet and reliable.
- The filter range features a one-piece blow molded body made of HDPE with no joints. It is assembled on a plastic base with all the necessary accessories.
- Available on 300mm/12", 400mm/16", 500mm/20" and 600mm/24" filter tanks.
- Pump and Multiport top mount valve included.
- **FIJI** or **SPARTA** pump depending on the filter capacity.
- Motor with IP55 protection built to withstand hot atmospheres and high humidity levels.
- **SAMOA** filtration system is CE certified by SGS.
- Both pumps are "GS" certified.



Code	Diameter (mm)	Multiport Valve	Connections	Pump	Pump Potency (W)	Sand (Kg)	Grain size (mm)	A	B	C	D
T615A-000	300	5 ways	1,25"	Fiji	125	± 20	0,4-0,8	600	540	420	38
T615B-000	300	5 ways	1,25"	Fiji	180	± 20	0,4-0,8	600	540	420	38
T616A-000	400	5 ways	1,25"	Fiji	230	± 40	0,4-0,8	710	590	420	38
T968A-B00	500	5 ways	1,25"	Sparta	250	± 80	0,4-0,8	755	820	556	38
T968B-B00	500	5 ways	1,25"	Sparta	370	± 80	0,4-0,8	755	820	556	38
T968C-B00	500	5 ways	1,25"	Sparta	550	± 80	0,4-0,8	755	820	556	38