

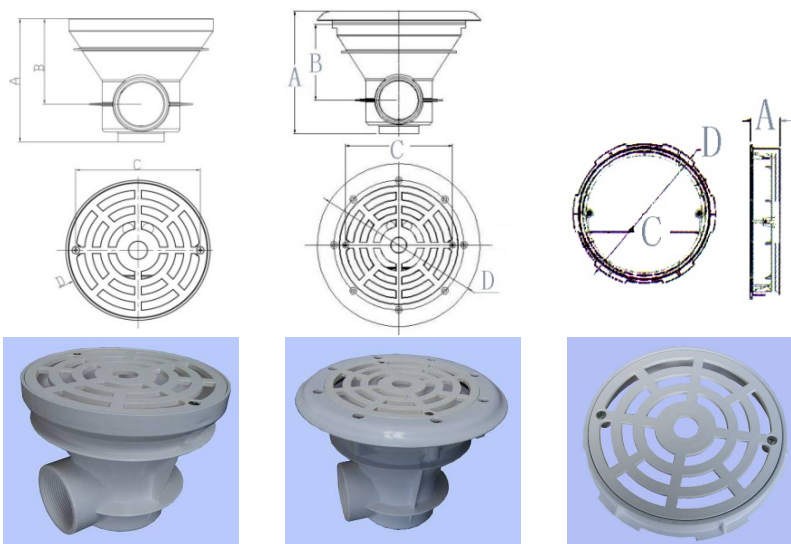
NINGBO LINYA SWIMMING POOL AND  
WATER TREATMENT EQUIPMENT CO, LTD,  
**PRODUCT: “DRAINS, INLETS & GRATINGS”**

AUGUST 2018

# Drains

**AQUANT** drains are made of high resistant white Made in white ABS with UV protection Included. Drains have a side connection with 2" female thread.

**AQUANT** drains are available for concrete and pre-fabricated pools. Drain grilles are used in concrete pools with a built-in main drain.



02040101

02040102

02040201



## Logistics

CODES	Net Weight Kg/Unit	Packaging volume m3	BOX SIZE cm	Units per Outer ctn
02040101	0,44	0,03	36,5x36,5x19,5	4
02040102	0,72	0,04	41,5x41,5x21,5	4
02040201	0,24	0,04	41,5x41,5x21,5	10

## Codes & Specifications

CODES	DESCRIPTION	A	B	C	D
		mm			
02040101	D.182 - 2" FOR CONCRETE	160	111	157	182
02040102	D.182 - 2" FOR LINER	180	111	157	240
02040201	WITH SUPPORT RING AND GRATING	34,5		157	203

# Inlets, Outlets & Conduits

Manufactured in white ABS with UV protection, the inlets adapt to any kind of concrete or prefabricated pool. They include all the components you need for the best performance of your pool.

Return Inlets return filtered and treated water to the pool.

Suction Inlets are used to connect the pool cleaner.

Conduits are used to aid the installation of return and suction inlets. They are adaptable in length for easier installation and replacement of the inlets in concrete pools.

**AQUANT** conduits are 300 long and can be adjusted to 250 and 170 mm.

Inlets and Nozzles are available for concrete and liner pools.



CODE	DESCRIPTION
02100101	Return wall inlet with eyeball for concrete pool
02100102	Return wall inlet with eyeball for liner pool
02100103	Return wall inlet (02100101+1 nut+2 gaskets)
02100111	Return wall inlet to glue for concrete pool
02100201	Suction nozzle for concrete pool
02100202	Suction nozzle for liner pool
02100203	Suction nozzle (02100201+1 nut+2 gaskets)
02100211	Suction nozzle to glue for concrete pool
02100301	L-300mm wall conduit to glue external 63mm / internal 50 mm
02100302	L-300mm wall conduit to with 2" thread

	CODE	Net Weight Kg/Unit	Unit per box	BOX SIZE cm
RETURN INLETS	02100101	0,2	6	26x26x12
	02100102	0,34	6	26x26x12
	02100103	0,25	6	26x26x12
	02100111	0,18	6	26x26x12
SUCTION INLETS	02100201	0,16	6	26x26x12
	02100202	0,32	6	26x26x12
	02100203	0,21	6	26x26x12
	02100211	0,18	6	26x26x12
CONDUITS	02100301	0,32	45	70X32,5X40
	02100302	0,23	45	70X32,5X40

# Overflow gratings

**AQUANT** gratings are manufactured in PP including UV protection. This material has a high mechanical resistance and it is not altered by chemical and atmospheric agents.

The design provides an anti-slip surface and a multipurpose function as the same grating can be use for both curved and straight overflow.



Code	Description	L (mm)	H (mm)	Height (mm)	N.Weight (KG)	Unit per Package	Packaging (m3)
02050301	Straight and cuve - Length 240 mm	240	22	32	0.04	450	0.10
02050302	Straight and cuve - Length 250 mm	250	22	22	0.03	450	0.07
02050303	Straight and cuve - Length 300 mm	300	22	22	0.03	450	0.08